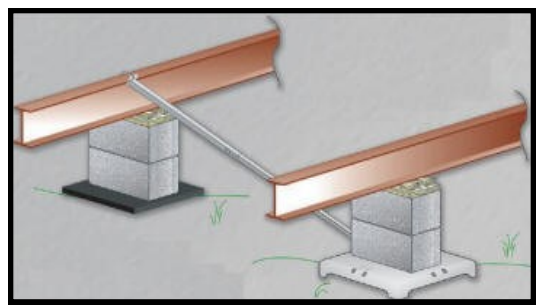
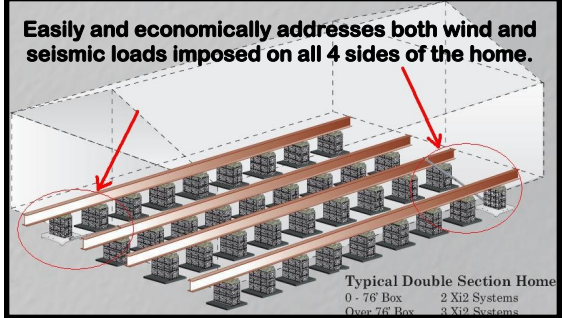
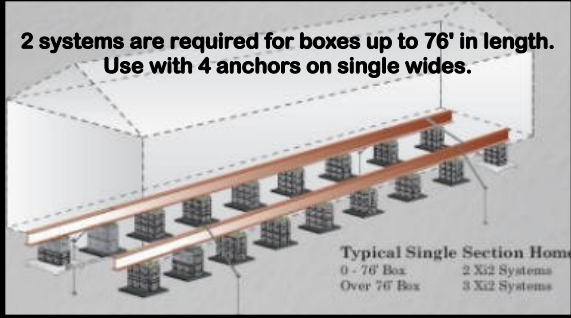


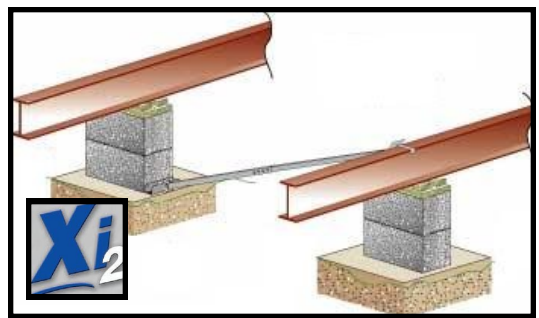
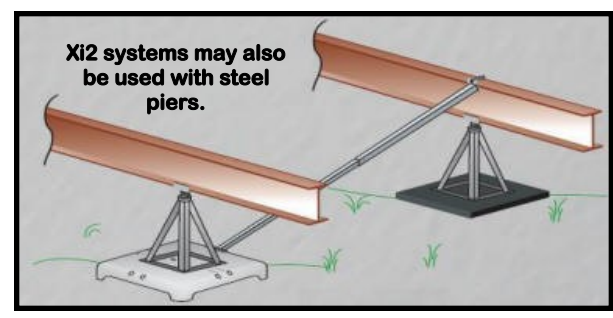


Xi-2 Foundation Systems for Soil and Concrete



◀ 11040- Xi2 Systems for Soil

*One system is comprised of one pad, one retractable lateral bar and hardware. Very easy to install. Heavy galvanized coating on bracket and struts.



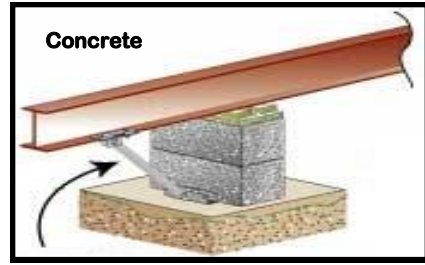
◀ 11045- Xi2 Systems for Dry Concrete 11045-WET- Xi2 Systems for Wet Concrete

*One system is comprised of one mounting bracket, one retractable lateral bar and hardware. Very easy to install. Heavy galvanized coating on bracket and struts.

Longitudinal Strut Bar with Hardware

For Soil
11041- 53" Length
11042- 39" Length
11042-65- 65" Length

For Concrete
11046- 39" Length
11047- 53" Length



Set-Up/
Transport

