



KITCHEN SINKS AND PLUMBING



▲ **33" x 19" Double Bowl Stainless Steel Sink**- *Four holes in ledge, one plugged. Fits cutout hole of 32 1/2" x 18 1/2".
36199- 6" Deep Bowl
36199-7- 7" Deep Bowl
36199-8- 8" Deep Bowl



▲ **"Portland" (534) Double Bowl Acrylic Kitchen Sink**
 *Dimensions- 33" x 19" x 9" deep
0,1,2,3,4, or 5 faucet holes (4 holes is standard). Please specify the number of holes to drill for your sink!

Plumbing

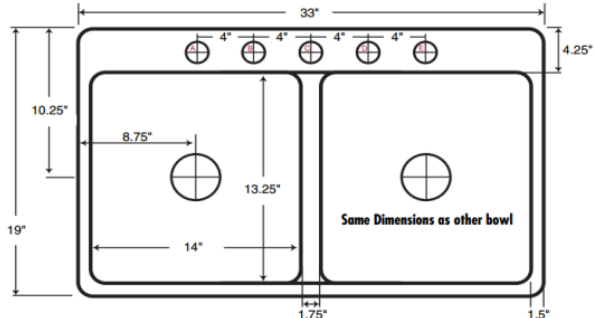
Continuous Waste Drain Assemblies Telescoping- With 1 1/2" rubber gasket.



▲ **38007-D**
With Dishwasher Tailpiece



▲ **38007**
Less Dishwasher Tailpiece



24 available colors- White, Bone, Almond, Biscuit, Natural, Candlelyght, Peach Bisque, Shell, Navy Blue, Rhapsody Blue, Rain Forest, Teal, Verde, Timberline, Seafoam, Innocent Blush, Desert Bloom, Dusty Rose, Wild Rose, Red, Raspberry Puree, Ice Grey, Sterling Silver, and Black.

For more dishwasher related items please see page 51.



◀ **36198- Stainless Steel Hole Plug**



◀ **3 1/2" Basket Strainers**
38008- Chrome Plastic
38008-M -Stainless Steel

36203- ABS P-Trap- 1 1/2" Hub x 1 1/2" Hub with Union Joint. ▶
 Use with **38014 Swivel Adapter** Only.



◀ **36204- 1 1/2" x 1 1/4" ABS P-Trap**
 *1 1/4" Slip inlet x 1 1/2" Hub outlet with union joint.

36206- ABS Trap Adapter ▶
 *1 1/4" Spigot x 1 1/2" Slip. Works as a bridge between **38006 tailpiece** and **36203 P-Trap** Only.



For pipe cements and cleaners see page 77.

