



# KITCHEN SINKS AND PLUMBING



▲ **33" x 19" Double Bowl Stainless Steel Sink**- \*Four holes in ledge, one plugged. Fits cutout hole of 32 1/2" x 18 1/2".  
**36199- 6" Deep Bowl**  
**36199-7- 7" Deep Bowl**  
**36199-8- 8" Deep Bowl**



▲ **"Portland" (534) Double Bowl Acrylic Kitchen Sink**  
 \*Dimensions- 33" x 19" x 9" deep  
**0,1,2,3,4,or 5 faucet holes (4 holes is standard).**  
**Please specify the number of holes to drill for your sink!**

## Continuous Waste Drain Assemblies Telescoping- With 1 1/2" rubber gasket.



▲ **38007-D**  
**With Dishwasher Tailpiece**



▲ **38007**  
**Less Dishwasher Tailpiece**

For more dishwasher related items please see page 50.



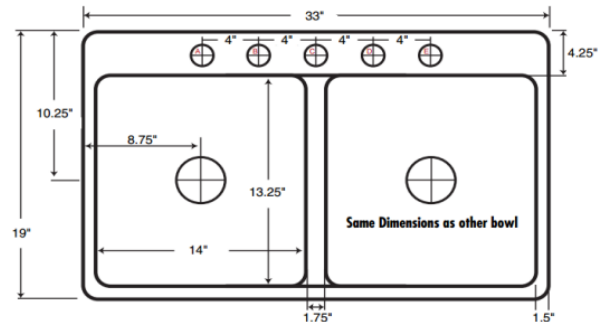
◀ **3 1/2" Basket Strainers**  
**38008- Chrome Plastic**  
**38008-M -Stainless Steel**



◀ **Soap Dispensers**  
**36185- Chrome Finish**  
**36185-ORB-Oil Rubbed Bronze Finish**



◀ **36204- 1 1/2" x 1 1/4" ABS P-Trap**  
 \*1 1/4" Slip inlet x 1 1/2" Hub outlet with union joint.



*15 available colors- White, Bone, Almond, Biscuit, Candlelyght, Peach Bisque, Rain Forest, Teal, Verde, Desert Bloom, Wild Rose, Raspberry Puree, Ice Grey, and Black.*

**36203- ABS P-Trap- 1 1/2" Hub x 1 1/2" Hub with Union Joint.** ▶  
 Use with **38014 Swivel Adapter** Only.



**36206- ABS Trap Adapter** ▶  
 \*1 1/4" Spigot x 1 1/2" Slip. Works as a bridge between **38006** tailpiece and **36203 P-Trap** Only.



◀ **36198- Stainless Steel Hole Plug**

For pipe cements see page 81.

